

5

4

3

2

1

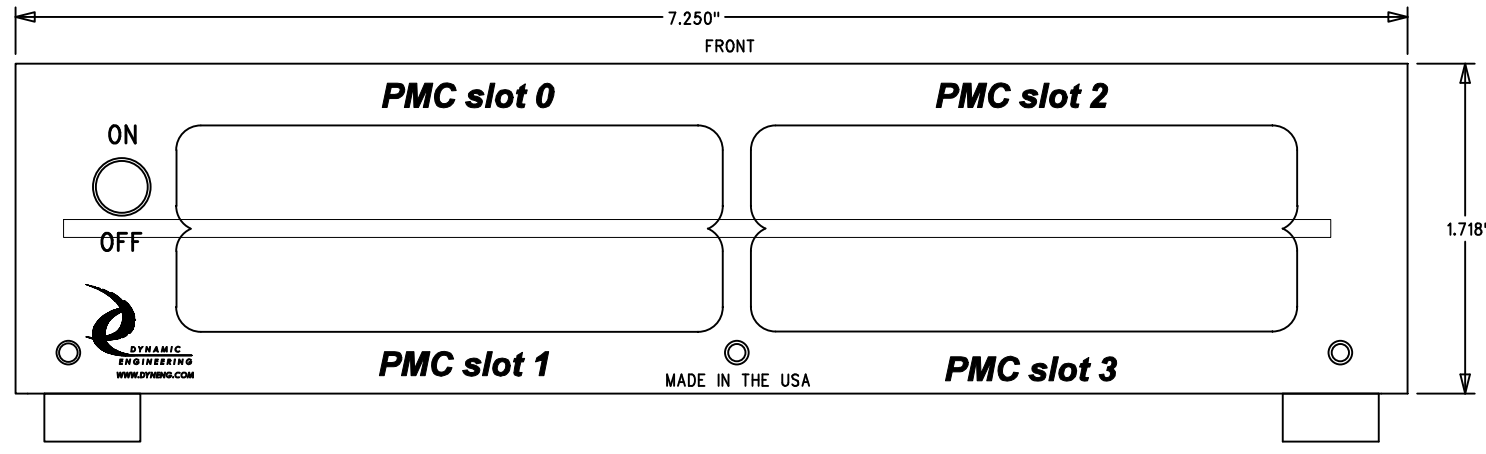
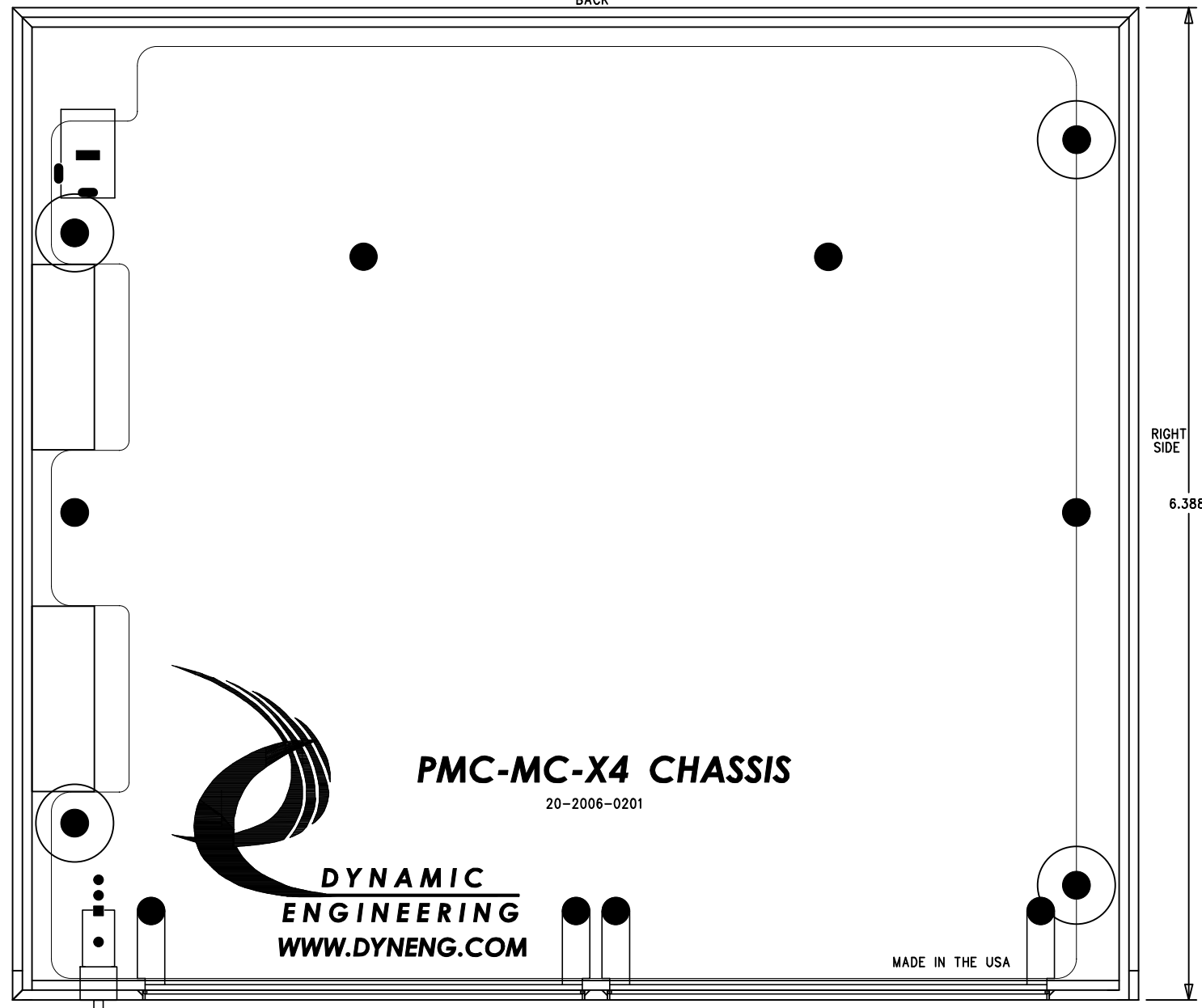
REVISIONS			
REV	DESCRIPTION	DATE	APPROVAL
A	INITIAL RELEASE	7/17/07	KL
A1	ADDED 75 MILS TO RIGHT SIDE, SHORTENED LENGTH 30.39 MILS AT FRONT END, MOVED SWITCH HOLE UP 10 MILS, ADDED RADIUS DETAIL TO OPENINGS.	8/10/07	KL

D

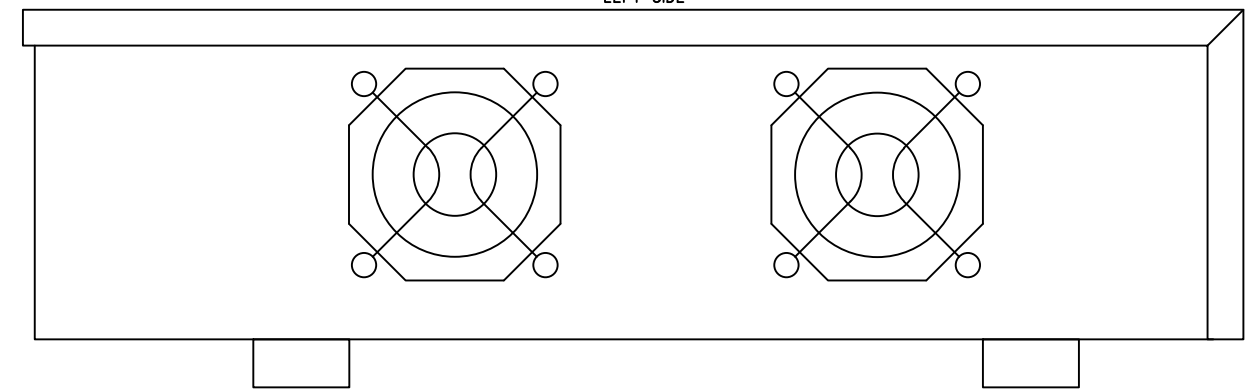
C

B

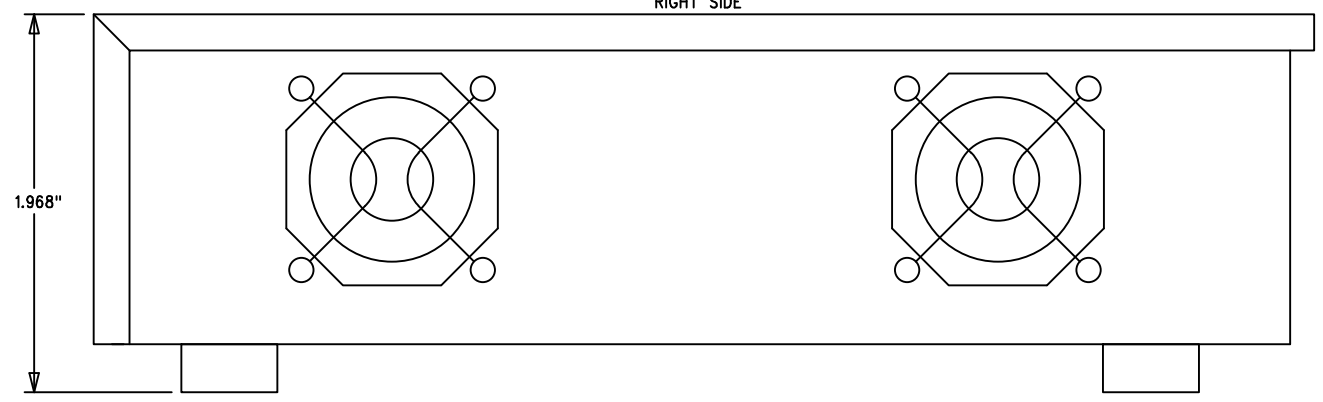
A



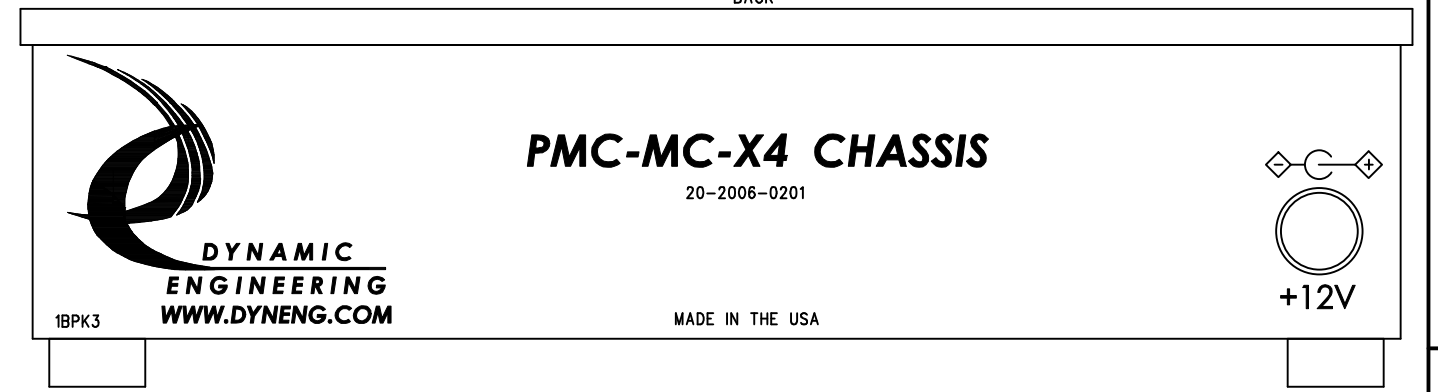
LEFT SIDE



RIGHT SIDE

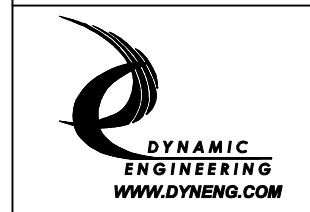


BACK



MATERIAL: .0625" ALUMINUM 5005 ALLOY  
PRE-FINISHED BLACK ANODIZED  
WHITE SILKSCREEN

NOTICE: THIS DOCUMENT CONTAINS PROPRIETARY INFORMATION OF DYNAMIC ENGINEERING AND IS NOT TO BE COPIED OR DISTRIBUTED WITHOUT THE WRITTEN CONSENT OF AN OFFICER OF DYNAMIC ENGINEERING. THE RECEIPT OR POSSESSION OF THIS DOCUMENT DOES NOT CONVEY ANY RIGHTS TO REPRODUCE IT, DISCLOSE ITS CONTENTS, OR TO MANUFACTURE, USE, OR SELL ANY DEVICE INCORPORATING THE CONTENTS AND DETAILS DISCLOSED BY IT. SUCH CONCEPTS AND DETAILS ARE NOT TO BE USED OTHER THAN FOR THE BENEFIT OF DYNAMIC ENGINEERING.



TITLE  
**PMC-MC-X4 CHASSIS**  
PCB FAB DRAWING-WEBSHOT

DRAWN: ALAN DUNLAP DATED: 8/10/07  
ENG: KEITH LEISSES DATED: 7/17/07  
DRAW NO: 20-2006-0201

**DYNAMIC ENGINEERING**

150 DUBOIS ST. SUITE 3  
SANTA CRUZ, CA 95060  
Ph: (831) 457-8891  
FAX: (831) 457-4793

REV	A
SHEET: 1 OF 1	